

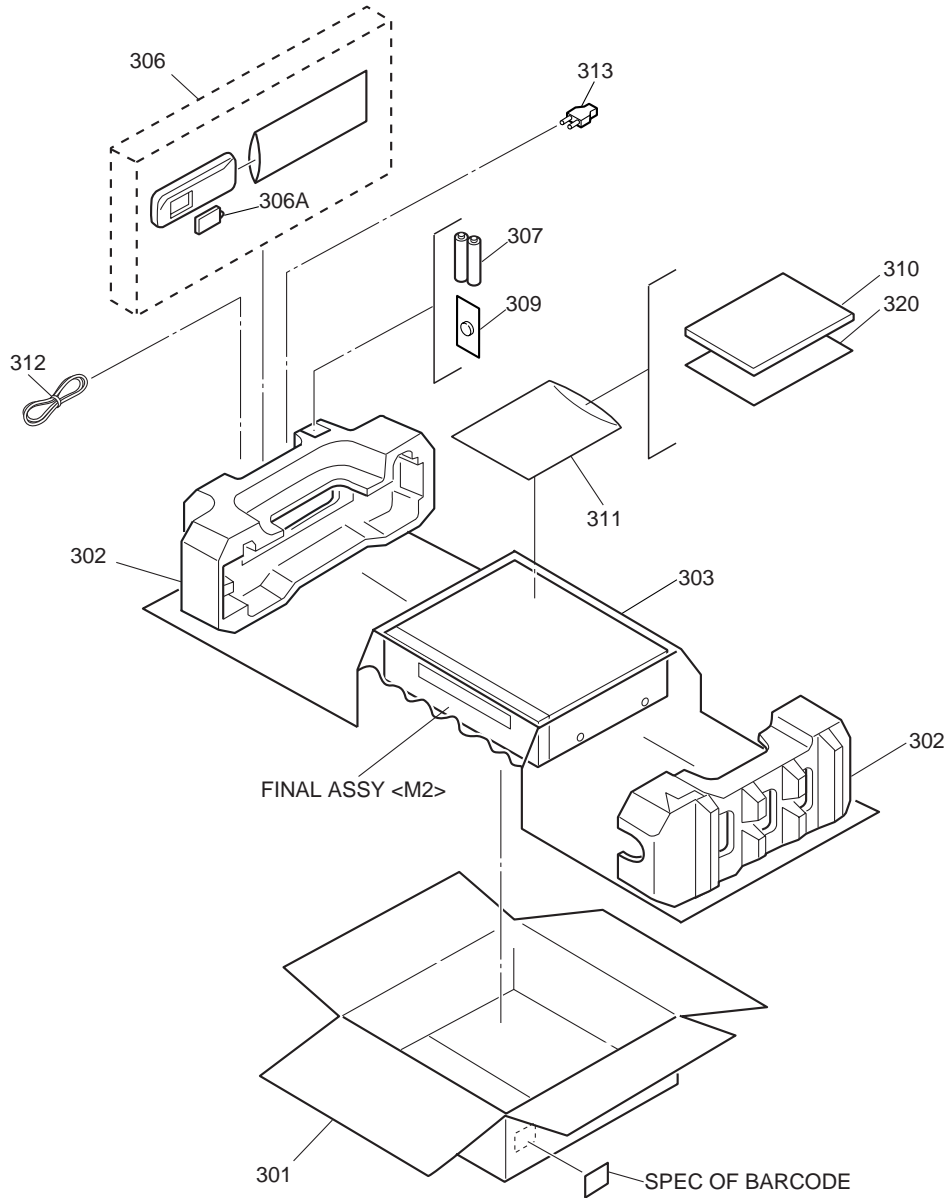
# SECTION 5 PARTS LIST

## SAFETY PRECAUTION

Parts identified by the  $\triangle$  symbol are critical for safety. Replace only with specified part numbers.

### 5.1 PACKING AND ACCESSORY ASSEMBLY <M1>

The instruction manual to be provided with this product will differ according to the destination.



# $\triangle$	REF No.	PART No.	PART NAME, DESCRIPTION
*****			
<b>PACKING AND ACCESSORY ASSEMBLY &lt;M1&gt;</b>			
301	LP30836-017A	LP30836-015B	PACKING CASE,J3008UM
		LP30777-001C	PACKING CASE,J4008UM
302	LP30777-001C	LP30904-002A	CUSHION ASSY
303	LP30904-002A	LP20878-001A	SHEET
306	LP20878-001A	LP20878-002A	REMOTE CONTROLLER,J3008UM
	LP20878-002A	LP40610-001A	REMOTE CONTROLLER,J4008UM
306A	LP40610-001A	LP40610-002A	COVER(BATTERY),J3008UM
	LP40610-002A		COVER(BATTERY),J4008UM

# $\triangle$	REF No.	PART No.	PART NAME, DESCRIPTION
	307	—	BATTERY,X2,"AA"TYPE
$\triangle$	309	PECA0903	LI.BATTERY,CR2025,J4008UM
$\triangle$	310	LPT0532-001A	INST.BOOK(SP),J3008UM
$\triangle$		LPT0533-001A	INST.BOOK(EN),J4008UM
$\triangle$		LPT0533-002A	INST.BOOK(SP),J4008UM
	311	QPC02503530P	POLY BAG
	312	PEAC0294-04	RF CABLE
$\triangle$	313	PEMC1012	CONVERSION PLUG,J4008UM
	320	PU36560-2	CONNECTION SHEET



# ▲ REF No. PART No. PART NAME, DESCRIPTION

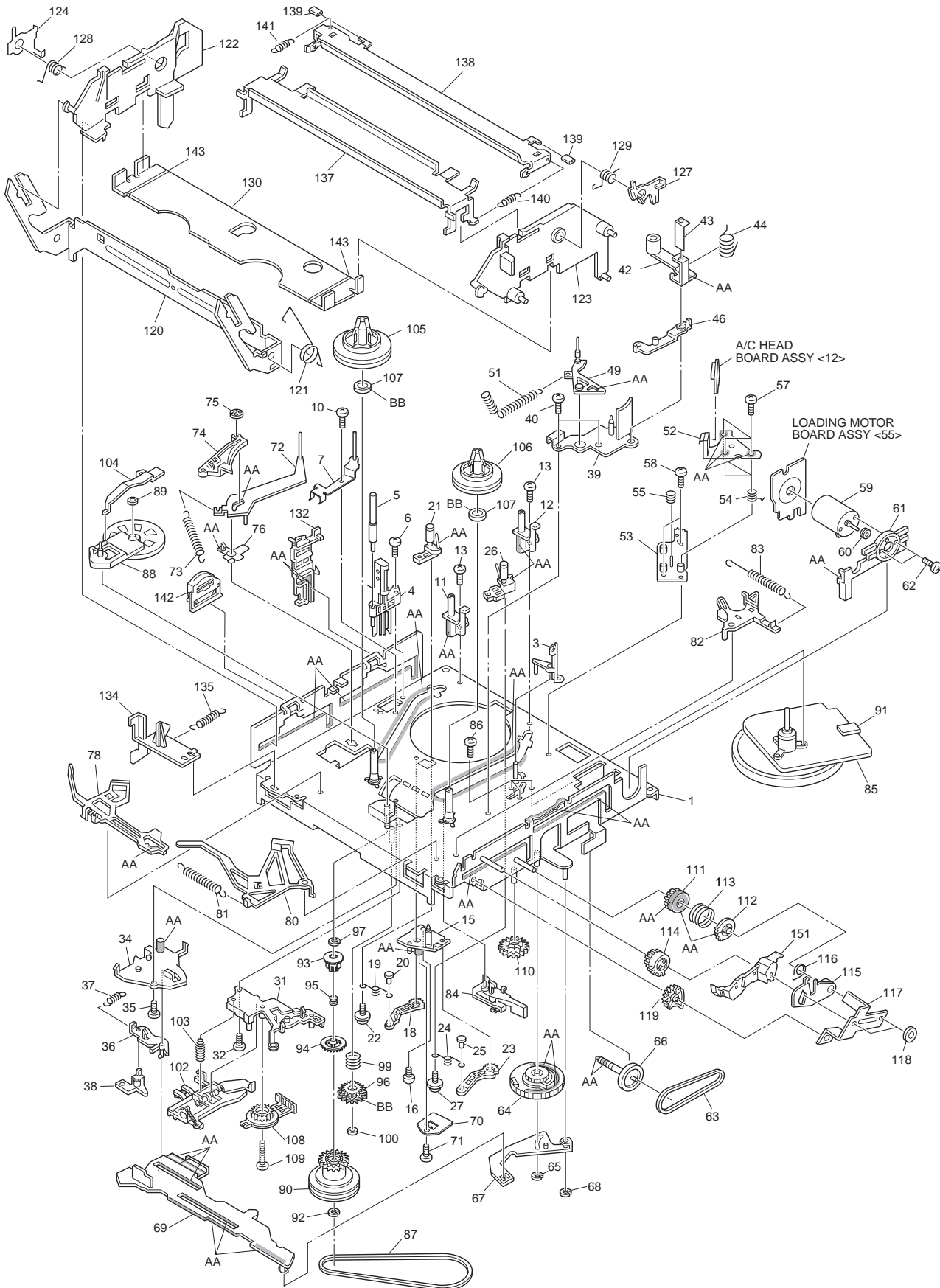
# ▲ REF No. PART No. PART NAME, DESCRIPTION

\*\*\*\*\*

**FINAL ASSEMBLY <M2>**

▲ 501	LP10348-008F	FRONT PANEL ASSY,J4008UM
	LP10348-009F	FRONT PANEL ASSY,J3008UM
501A	LP20977-008C	CASSETTE DOOR
501B	PQ46448	TORSION SPRING
501C	LP20976-008A	DISPLAY WINDOW,J4008UM
	LP20976-009A	DISPLAY WINDOW,J3008UM
▲ 502	LP10352-008A	TOP COVER
503	QYTDSF3010R	SCREW,X2, TOP COVER(SIDE)
505	LP20981-006A	DRUM SUB ASSY
505E	LP40323-001A	CONTACT
505F	LP30004-014A	COMPRESSION SPRING
506	PDZ0179-1-4	ROTOR ASSY
507	QYSPSP3006Z	SCREW,X2
▲ 508	QAR0169-002	STATOR ASSY
509	QYSPSPH2606Z	SCREW,X2
510	QYTDST2610Z	SCREW,X3,DRUM
▲ 511	LP10350-005D	BOTTOM CHASSIS,J4008UM
▲ 512	LP10350-004D	BOTTOM CHASSIS,J3008UM
513	LP30818-001A	BRACKET(CHASSIS)
514	QYTDSF3010Z	SCREW,X2,BRACKET
515	QYTDSF4012Z	SCREW,MECHA
516	QYTDSF3010Z	SCREW,X2,MECHA
▲ 517	QMP73J0-170	POWER CORD,J4008UM
518	LP40369-001D	CLEANER ASSY,J4008UM
518A	PQ46418-1-2	CLEANER ROLLER,J4008UM
518B	PQ46419-1-2	CLEANER,J4008UM
518C	LP30407-001D	CLEANER ARM,J4008UM
520	LP30336-001A	CAP,LT.BATTERY,J4008UM
524	LP40253-001B	STOPPER
525	PQ40413	SPECIAL SCREW,MECHA
531	QYTDSF3010M	SCREW,REAR,J4008UM
532	QYTDSF3010Z	SCREW,TERM.BOARD,J4008UM
WR1	QUQ212-0519CG	FFC WIRE,DRUM
WR2	WJT0005-002A	E-CARD WIRE,A/C HEAD

### 5.3 MECHANISM ASSEMBLY <M4>



Classification	Part No.	Symbol in drawing
Grease	KYODO-SH-P	AA
Oil	COSMO-HV56	BB

**NOTE:**The section marked in **AA** and **BB** indicate lubrication and greasing areas.

#	△	REF No.	PART No.	PART NAME, DESCRIPTION	#	△	REF No.	PART No.	PART NAME, DESCRIPTION
*****									
<b>MECHANISM ASSEMBLY &lt;M4&gt;</b>									
1			LP20821-006A	MAIN DECK ASSY	74			LP40109-003D	TENSION BRAKE ASSY
3			LP30492-002B	GUIDE POLE GUARD	75			PQ46302-1-3	ADJUST PIN
4			NAH0001-001	FULL ERASE HEAD	76			LP30232-002A	TENSION ARM BEARING
5			LP40098-001B	GUIDE POLE(SUPPLY)	78			LP40532-008B	MAIN BRAKE ASSY (SUPPLY)
6			QYTDST2608Z	SCREW,FE HEAD	80			LP40111-011A	MAIN BRAKE ASSY (TAKE UP)
7			LP40637-002A	TENSION STUD BASE ASSY	81			LP30003-026A	TENSION SPRING
10			QYTDST2606Z	SCREW	82			LP40112-001F	SUB BRAKE ASSY(TAKE UP)
11			LP30409-002C	UV CATCHER 2	83			LP40357-002A	TENSION SPRING
12			LP30409-002C	UV CATCHER 2	84			LP40461-001A	CAPSTAN BRAKE ASSY
13			QYTPST2606Z	SCREW,X2	85			QAR0087-005	CAPSTAN MOTOR
15			LP30223-003C	LOADING ARM GEAR SHAFT	86			QYTDSF2606M	SCREW,X3
16			QYTDST2606Z	SCREW	87			LP30005-007A	BELT,CAPSTAN MOTOR
18			LP30224-001B	LOADING ARM GEAR(SUPPLY)	88			LP40114-012A	IDLER ARM ASSY
19			LP40099-001A	TORSION ARM	89			LP40599-001A	WASHER
20			LP40100-001A	PIN	90			LP40593-001A	CLUTCH UNIT 3
21			LP40101-006A	POLE BASE ASSY(SUPPLY)	91			LP30002-097A	SPACER,CAPSTAN MOTOR
22			QYSPSTG2606Z	SCREW	92			PQM30017-47	SLIT WASHER
23			LP40103-002B	LOADING ARM GEAR(TAKE UP)	93			LP30696-002A	CLUTCH GEAR 4
24			LP40099-001A	TORSION ARM	94			LP30697-003A	COUPLING GEAR
25			LP40100-002A	PIN	95			LP40554-002A	COMPRESSION SPRING
26			LP40104-006A	POLE BASE ASSY(TAKE UP)	96			LP40442-001A	DIRECT GEAR
27			QYSPSTG2606Z	SCREW	97			LP30017-019A	SPACER
31			LP20233-004B	ROTARY ENCODER GUIDE	99			LP40483-002A	COMPRESSION SPRING
32			QYTPST2606Z	SCREW	100			LP30016-001A	SLIT WASHER
34			LP30226-004E	CONTROL PLATE GUIDE	102			LP40484-001J	CHANGE LEVER ASSY
35			QYTPST2605Z	SCREW	103			LP40512-002B	COMPRESSION SPRING
36			LP30249-003B	TAKE UP LEVER	104			LP30236-002C	IDLER LEVER
37			LP30003-006A	TENSION SPRING	105			LP20237-001B	REEL DISK (SUPPLY)
38			LP40119-002A	TAKE UP HEAD	106			LP20238-001B	REEL DISK (TAKE UP)
39			LP20234-004B	LID GUIDE	107			LP30017-015A	SPACER,X2
40			QYTDST2606Z	SCREW,X2	108			QSW0554-003	ROTARY ENCODER
42			LP40105-003A	PINCH ROLLER ARM ASSY	109			QYTPST2620Z	SCREW
43			LP40753-001A	PINCH ROLLER SHEET3	110			LP30237-002B	CASSETTE GEAR
44			LP40148-002A	TORSION SPRING	111			LP30239-002G	LIMIT GEAR(1)
46			LP40149-001C	PRESS LEVER ASSY	112			LP30240-002G	LIMIT GEAR(2)
49			LP40106-007A	GUIDE ARM ASSY	113			LP40136-001E	TORSION SPRING
51			LP40134-002A	TENSION SPRING	114			LP30242-002A	RELAY GEAR
52			QAH0058-001	AC HEAD	115			LP30339-002E	OPENER GUIDE
53			LP30228-001A	HEAD BASE	116			LP40545-001A	TORSION SPRING
54			LP30004-013A	COMPRESSION SPRING,X3	117			LP40214-001B	C.H.BRACKET
55			LP40236-001A	COMPRESSION SPRING	118			PQM30017-47	SLIT WASHER,X2
57			LP40213-002B	SPECIAL SCREW,X3	119			LP30243-001D	DRIVE GEAR
58			QYTDST2608Z	SCREW,X2	120			LP20240-001G	DRIVE ARM
59			QAR0023-001	LOADING MOTOR	121			LP40137-001A	TORSION SPRING
60			PQ43546-1-2	MOTOR PULLEY	122			LP10081-002L	SIDE HOLDER(L)
61			LP30230-001B	MOTOR GUIDE	123			LP10082-002M	SIDE HOLDER(R)
62			QYTPSP3003Z	SCREW,X2	124			LP30255-006A	LOCK LEVER(L)
63			LP30005-003A	BELT,LOADING MOTOR	127			LP30256-001H	LOCK LEVER(R)
64			LP20791-002D	CONTROL CAM	128			LP40168-003A	TORSION SPRING(L)
65			PQM30017-24	SLIT WASHER	129			LP40218-001B	TORSION SPRING(R)
66			LP40120-001A	WORM GEAR	130			LP30257-001G	CASSETTE HOLDER
67			LP40107-002A	LINK LEVER ASSY	132			LP30244-002G	GUIDE RAIL
68			PQM30017-24	SLIT WASHER	134			LP30245-002F	REC SAFETY LEVER
69			LP10201-003G	CONTROL PLATE	135			LP30003-004A	TENSION SPRING
70			LP40379-001B	CONTROL BRACKET(1)	137			LP20578-001C	TOP GUIDE
71			QYTDSF2608M	SCREW	138			LP30500-001C	HOLD PLATE
72			LP40108-002A	TENSION ARM ASSY	139			LP40450-003A	PAD,X2
73			LP30003-010A	TENSION SPRING	140			LP30003-025B	TENSION SPRING
					141			LP30003-024A	TENSION SPRING
					142			LP40481-003A	ROLLER CAM ASSY
					143			LP30019-014A	PAD,X2
					151			LP20324-003B	DOOR OPENER

## 5.4 ELECTRICAL PARTS LIST

#	△ REF No.	PART No.	PART NAME, DESCRIPTION
*****			
<b>MAIN BOARD ASSEMBLY &lt;03&gt;</b>			
PW1		LPA10130-05B1	MAIN BOARD ASSY,J4008UM
		LPA10130-02D1	MAIN BOARD ASSY,J3008UM
IC1		JCP8021-NVD	IC
		or JCP8021-NVD-2	IC
IC3001		MN101D02GWA	IC
		or MN101DP02JAFWA	IC
IC3002		BA6956AN	IC
IC3003		S-80823ANNP-W	IC,J4008UM
		or IC-PST3423U-X	IC,J4008UM
IC3004		S-24C04BFJ-X	IC,4K,J3008UM
		or BR24C04F-W-X	IC,4K,J3008UM
		or 24LC04B/SN-X	IC,4K,J3008UM
		or AT24C04N-10SC-X	IC,4K,J3008UM
		or X24C04S	IC,4K,J3008UM
		S-24C02BFJ-X	IC,2K,J4008UM
		or BR24C02F-W-X	IC,2K,J4008UM
		or 24LC02B/SN-X	IC,2K,J4008UM
		or AT24C02N-10SC-X	IC,2K,J4008UM
IC5301		L5431	IC
		or MM1431AT	IC
IC7042		GP1U291Q	IR DETECT UNIT
		or PIC-28143LJ	IR DETECT UNIT
		or PNA4652M00YC	IR DETECT UNIT
		or PIC-37143LJ	IR DETECT UNIT
Q22		2SC4081/QRS/-X	TRANSISTOR
		or 2PC4081/R/-X	TRANSISTOR
Q32		DTC144WU	TRANSISTOR
		or PDTC144WU	TRANSISTOR
		or RN1309	TRANSISTOR
		or UN521E	TRANSISTOR
Q38		2SC4081/QRS/-X	TRANSISTOR
		or 2PC4081/R/-X	TRANSISTOR
		or 2SD1819A/QRS/-X	TRANSISTOR
Q901		2SA1576A/QRS/-X	TRANSISTOR
		or 2PA1576/R/-X	TRANSISTOR
Q2001		2SC4081/QRS/-X	TRANSISTOR
		or 2PC4081/R/-X	TRANSISTOR
		or 2SD1819A/QRS/-X	TRANSISTOR
Q2002		2SC4081/QRS/-X	TRANSISTOR
		or 2SD1819A/QRS/-X	TRANSISTOR
		or 2PC4081/R/-X	TRANSISTOR
Q2003		DTA144WU	TRANSISTOR
		or PDTA144WU	TRANSISTOR
		or UN511E	TRANSISTOR
		or RN2309	TRANSISTOR
Q2051		2SC4081/QRS/-X	TRANSISTOR
		or 2SD1819A/QRS/-X	TRANSISTOR
		or 2PC4081/R/-X	TRANSISTOR
Q2052		2SA1576A/QR/-X	TRANSISTOR
		or 2PA1576/R/-X	TRANSISTOR
		or 2SB1218A/QR/-X	TRANSISTOR
Q2053		DTC144WU	TRANSISTOR
		or PDTC144WU	TRANSISTOR
		or RN1309	TRANSISTOR
		or UN521E	TRANSISTOR
Q2054		2SA1576A/QR/-X	TRANSISTOR
		or 2SB1218A/QR/-X	TRANSISTOR

#	△ REF No.	PART No.	PART NAME, DESCRIPTION
		or 2PA1576/R/-X	TRANSISTOR
Q2055		DTC144WU	TRANSISTOR
		or PDTC144WU	TRANSISTOR
		or RN1309	TRANSISTOR
		or UN521E	TRANSISTOR
Q3002		PTZ-NV16A	PHOTO TRANSISTOR
Q3004		2SD1819A/QRS/-X	TRANSISTOR,J4008UM
		or 2SC4081/QRS/-X	TRANSISTOR,J4008UM
		or 2PC4081/R/-X	TRANSISTOR,J4008UM
Q3006		2SC4081/QRS/-X	TRANSISTOR,J3008UM
Q3007		2SC4081/QRS/-X	TRANSISTOR,J3008UM
Q4001		UN5211	TRANSISTOR
		or DTC114EU	TRANSISTOR
		or PDTC114EU	TRANSISTOR
		or RN1302	TRANSISTOR
Q4002		2SD1819A/QRS/-X	TRANSISTOR
		or 2SC4081/QRS/-X	TRANSISTOR
		or 2PC4081/R/-X	TRANSISTOR
Q5101		2SK2043-CB14	FE TRANSISTOR,J3008UM
		or 2SK2325	POWER MOS FET,J3008UM
		or 2SK2325-LT	POWER MOS FET,J3008UM
		2SK2632-CB14	POWER MOS FET,J4008UM
		or 2SK2129	POWER MOS FET,J4008UM
		or 2SK2129-LT	POWER MOS FET,J4008UM
Q5102		2SD2144S/UV/-T	TRANSISTOR
Q5303		2SD1819A/RS/-X	TRANSISTOR
		or 2SC4081/RS/-X	TRANSISTOR
		or 2PC4081/R/-X	TRANSISTOR
Q5304		2SD2144S/UV/-T	TRANSISTOR
Q5305		DTA114EU	TRANSISTOR
		or PDTA114EU	TRANSISTOR
		or UN5111	TRANSISTOR
		or RN2302	TRANSISTOR
Q5306		DTC114EU	TRANSISTOR
		or PDTC114EU	TRANSISTOR
		or RN1302	TRANSISTOR
		or UN5211	TRANSISTOR
Q5321		2SC3616/ML/-T	TRANSISTOR
Q6030		2SB1218A/QR/-X	TRANSISTOR
		or 2PA1576/R/-X	TRANSISTOR
		or 2SA1576A/QR/-X	TRANSISTOR
Q7001		DTA143TU	TRANSISTOR
Q7002		DTA143TU	TRANSISTOR
Q7003		DTA143TU	TRANSISTOR
Q7004		DTA143TU	TRANSISTOR
Q7005		DTA143TU	TRANSISTOR
Q7006		DTC143TU	TRANSISTOR
Q7007		DTC143TU	TRANSISTOR
Q7008		DTC143TU	TRANSISTOR
Q7009		DTC143TU	TRANSISTOR
Q7010		DTC143TU	TRANSISTOR
Q7011		DTC143TU	TRANSISTOR
Q7012		DTC143TU	TRANSISTOR
D3001		LNB2301L01VI	LE DIODE
D3002		1SS133	DIODE
		or 1SS270A	DIODE
D3004		11ES2	DIODE,J4008UM
		or 1A3G	DIODE,J4008UM
D3005		11ES2	DIODE
		or 1A3G	DIODE
D3006		RD33ES/B2/-T2	ZENER DIODE,J4008UM

#	△	REF No.	PART No.	PART NAME, DESCRIPTION		#	△	REF No.	PART No.	PART NAME, DESCRIPTION	
			or MTZJ33B	ZENER DIODE,J4008UM		R93		NRSA63J-102X	MG RESISTOR		1kΩ,1/16W
△		D3008	RB721Q-40-T2	SB DIODE,J4008UM		R104		NRSA63J-682X	MG RESISTOR		6.8kΩ,1/16W
		D3016	MTZJ3.9B	ZENER DIODE,J3008UM		R118		NRSA63J-0R0X	MG RESISTOR		0Ω,1/16W
			or RD3.9ES/B2/-T2	ZENER DIODE,J3008UM		R201		NRSA02J-332X	MG RESISTOR		3.3kΩ,1/10W
		D5001	S1WB/A/60-4102	BRIDGE DIODE		R202		NRSA02J-222X	MG RESISTOR		2.2kΩ,1/10W
			or S1WB/A/60-X	BRIDGE DIODE		R901		NRSA02J-750X	MG RESISTOR		75Ω,1/10W
			or S1WB(A)60F4072X	BRIDGE DIODE		R904		QRE123J-331X	RESISTOR		330Ω,1/2W
		D5101	AU01	FR DIODE		R905		NRSA02J-101X	MG RESISTOR		100Ω,1/10W
			or ERA18-04-T2	FR DIODE		R912		NRSA02J-750X	MG RESISTOR		75Ω,1/10W
			or 1SR153-400-T2	FR DIODE		R2001		NRSA02J-101X	MG RESISTOR		100Ω,1/10W
			or 10ELS4	FR DIODE		R2003		NRSA02J-681X	MG RESISTOR		680Ω,1/10W
		D5102	AU01	FR DIODE		R2004		NRSA02J-272X	MG RESISTOR		2.7kΩ,1/10W
			or ERA18-04-T2	FR DIODE		R2005		NRSA02J-333X	MG RESISTOR		33kΩ,1/10W
			or 1SR153-400-T2	FR DIODE		R2006		NRSA02J-473X	MG RESISTOR		47kΩ,1/10W
			or 10ELS4	FR DIODE		R2008		NRSA02J-473X	MG RESISTOR		47kΩ,1/10W
		D5103	1SS133	DIODE		R2009		NRSA02J-682X	MG RESISTOR		6.8kΩ,1/10W
			or 1SS270A	DIODE		R2013		NRSA63J-682X	MG RESISTOR		6.8kΩ,1/16W
		D5105	1SS133	DIODE		R2014		NRSA63J-224X	MG RESISTOR		220kΩ,1/16W
			or 1SS270A	DIODE		R2015		NRSA63J-181X	MG RESISTOR		180Ω,1/16W
		D5203	AU01Z	FR DIODE		R2016		NRSA63J-473X	MG RESISTOR		47kΩ,1/16W
			or ERA18-02-T2	FR DIODE		R2017		NRSA63J-123X	MG RESISTOR		12kΩ,1/16W
			or PG104RS	FR DIODE		R2018		NRSA63J-472X	MG RESISTOR		4.7kΩ,1/16W
			or 10ELS2	FR DIODE		R2019		NRSA63J-472X	MG RESISTOR		4.7kΩ,1/16W
			or 1SR153-400-T2	FR DIODE		R2024		NRSA63J-332X	MG RESISTOR		3.3kΩ,1/16W
		D5204	AU01Z	FR DIODE		R2053		NRSA63J-272X	MG RESISTOR		2.7kΩ,1/16W
			or ERA18-02-T2	FR DIODE		R2054		NRSA02J-123X	MG RESISTOR		12kΩ,1/10W
			or PG104RS	FR DIODE		R2055		NRSA02J-3R3X	MG RESISTOR		3.3Ω,1/10W
			or 1SR153-400-T2	FR DIODE		R2056		NRSA02J-820X	MG RESISTOR		82Ω,1/10W
			or 10ELS2	FR DIODE		R2057		NRSA02J-473X	MG RESISTOR		47kΩ,1/10W
		D5207	AK04	DIODE		R2058		NRSA02J-183X	MG RESISTOR		18kΩ,1/10W
			or 11EQS04	SB DIODE		R2059		NRSA02J-473X	MG RESISTOR		47kΩ,1/10W
		D5210	AU01Z	FR DIODE		R2060		NRSA02J-183X	MG RESISTOR		18kΩ,1/10W
			or ERA18-02-T2	FR DIODE		R3001		NRSA02J-0R0X	MG RESISTOR		0Ω,1/10W
			or PG104RS	FR DIODE		R3017		NRSA02J-0R0X	MG RESISTOR		0Ω,1/10W
			or 1SR153-400-T2	FR DIODE		R3018		NRSA02J-0R0X	MG RESISTOR		0Ω,1/10W
			or 10ELS2	FR DIODE		R3021		QUY160-100Y	IM BUS WIRE		
		D5301	MTZJ15C	ZENER DIODE		R3027		QUY160-100Y	IM BUS WIRE		
			or RD15ES/B3/-T2	ZENER DIODE		R3028		NRSA63J-102X	MG RESISTOR		1kΩ,1/16W
		D5302	QUY153-050Y	IM BUS WIRE		R3042		NRSA02J-0R0X	MG RESISTOR,J4008UM		0Ω,1/10W
		D5303	RD5.1JS/B2/-T2	ZENER DIODE		R3056		NRSA02J-102X	MG RESISTOR		1kΩ,1/10W
			or MA4051N/M/-T2	ZENER DIODE		R3057		NRSA02J-102X	MG RESISTOR		1kΩ,1/10W
		D5304	1SS133	DIODE		R3060		NRSA02J-0R0X	MG RESISTOR		0Ω,1/10W
			or 1SS270A	DIODE		R3090		NRSA02J-102X	MG RESISTOR		1kΩ,1/10W
		D5307	QUY160-100Y	IM BUS WIRE		R3114		QRE141J-0R0Y	RESISTOR,J3008UM		0Ω,1/4W
		D5316	QUY160-100Y	IM BUS WIRE		R3116		NRSA02J-103X	MG RESISTOR		10kΩ,1/10W
		D6002	HZ30-2L-T2	ZENER DIODE		R3117		NRSA02J-103X	MG RESISTOR		10kΩ,1/10W
			or HZ30-2LTD	Z DIODE (M)		R3201		NRSA02J-332X	MG RESISTOR		3.3kΩ,1/10W
		R1	NRSA63J-682X	MG RESISTOR		R3206		NRSA02J-103X	MG RESISTOR		10kΩ,1/10W
		R2	NRSA63J-152X	MG RESISTOR		R3207		NRSA02J-103X	MG RESISTOR		10kΩ,1/10W
		R3	NRSA63J-822X	MG RESISTOR		R3208		NRSA02J-103X	MG RESISTOR		10kΩ,1/10W
		R6	NRSA63J-273X	MG RESISTOR		R3209		QRE141J-181Y	RESISTOR		180Ω,1/4W
		R7	NRSA63J-821X	MG RESISTOR		R3211		NRSA02J-183X	MG RESISTOR		18kΩ,1/10W
		R8	NRSA63J-0R0X	MG RESISTOR		R3212		NRSA02J-181X	MG RESISTOR		180Ω,1/10W
		R9	NRSA63J-0R0X	MG RESISTOR		R3213		QRE141J-273Y	RESISTOR		27kΩ,1/4W
		R12	QUY153-050Y	IM BUS WIRE		R3214		NRSA02J-181X	MG RESISTOR		180Ω,1/10W
		R37	NRSA63J-0R0X	MG RESISTOR		R3215		NRSA02J-273X	MG RESISTOR		27kΩ,1/10W
		R49	NRSA63J-561X	MG RESISTOR		R3216		NRSA02J-474X	MG RESISTOR		470kΩ,1/10W
		R66	NRSA63J-104X	MG RESISTOR		R3217		NRSA02J-334X	MG RESISTOR		330kΩ,1/10W
		R77	NRSA63J-103X	MG RESISTOR		R3218		NRSA02J-562X	MG RESISTOR		5.6kΩ,1/10W
		R90	NRSA63J-471X	MG RESISTOR		R3219		QRE141J-103Y	RESISTOR		10kΩ,1/4W
		R92	NRSA63J-152X	MG RESISTOR		R3220		NRSA02J-103X	MG RESISTOR,J4008UM		10kΩ,1/10W

#	△ REF No.	PART No.	PART NAME, DESCRIPTION	#	△ REF No.	PART No.	PART NAME, DESCRIPTION
		NRSA02J-562X	MG RESISTOR,J3008UM 5.6kΩ,1/10W	R6020		NRSA02J-102X	MG RESISTOR 1kΩ,1/10W
R3222		NRSA02J-471X	MG RESISTOR,J3008UM 470Ω,1/10W	R6021		NRSA02J-102X	MG RESISTOR 1kΩ,1/10W
		NRSA02J-472X	MG RESISTOR,J4008UM 4.7kΩ,1/10W	R6030		NRSA02J-332X	MG RESISTOR 3.3kΩ,1/10W
R3223		NRSA63J-105X	MG RESISTOR 1MΩ,1/16W	R6031		QUY153-050Y	IM BUS WIRE
R3224		NRSA63J-101X	MG RESISTOR 100Ω,1/16W	R6032		NRSA02J-153X	MG RESISTOR 15kΩ,1/10W
R3226		NRSA02J-103X	MG RESISTOR 10kΩ,1/10W	R6033		NRSA02J-103X	MG RESISTOR 10kΩ,1/10W
R3227		NRSA02J-103X	MG RESISTOR 10kΩ,1/10W	R6050		QUY160-100Y	IM BUS WIRE
R3232		QRE141J-104Y	RESISTOR,J4008UM 100kΩ,1/4W	R6054		NRSA02J-102X	MG RESISTOR 1kΩ,1/10W
R3233		NRSA02J-472X	MG RESISTOR,J4008UM 4.7kΩ,1/10W	R7001		QRE141J-331Y	RESISTOR 330Ω,1/4W
R3234		NRSA02J-472X	MG RESISTOR,J4008UM 4.7kΩ,1/10W	R7002		NRSA02J-331X	MG RESISTOR 330Ω,1/10W
△ R3235		NRSA02J-102X	MG RESISTOR,J4008UM 1kΩ,1/10W	R7003		NRSA02J-331X	MG RESISTOR 330Ω,1/10W
R3237		NRSA02J-472X	MG RESISTOR 4.7kΩ,1/10W	R7004		NRSA02J-331X	MG RESISTOR 330Ω,1/10W
R3238		NRSA02J-472X	MG RESISTOR 4.7kΩ,1/10W	R7005		NRSA63J-331X	MG RESISTOR 330Ω,1/16W
R3242		NRSA02J-0R0X	MG RESISTOR,J3008UM 0Ω,1/10W	R7006		NRSA02J-331X	MG RESISTOR 330Ω,1/10W
R3243		NRSA02J-681X	MG RESISTOR,J3008UM 680Ω,1/10W	R7007		NRSA63J-331X	MG RESISTOR 330Ω,1/16W
R3244		NRSA02J-331X	MG RESISTOR,J3008UM 330Ω,1/10W	R7020		NRSA02J-103X	MG RESISTOR 10kΩ,1/10W
R3245		NRSA02J-682X	MG RESISTOR,J3008UM 6.8kΩ,1/10W	R7021		NRSA02J-122X	MG RESISTOR 1.2kΩ,1/10W
R4001		QRE141J-222Y	RESISTOR 2.2kΩ,1/4W	R7022		NRSA02J-182X	MG RESISTOR 1.8kΩ,1/10W
R4002		QRE141J-562Y	RESISTOR 5.6kΩ,1/4W	R7023		NRSA02J-222X	MG RESISTOR 2.2kΩ,1/10W
R4003		NRSA02J-222X	MG RESISTOR 2.2kΩ,1/10W	R7024		NRSA02J-272X	MG RESISTOR 2.7kΩ,1/10W
R4004		QUY160-100Y	IM BUS WIRE	R7030		NRSA02J-103X	MG RESISTOR 10kΩ,1/10W
R4006		NRSA02J-472X	MG RESISTOR 4.7kΩ,1/10W	R7031		NRSA02J-122X	MG RESISTOR 1.2kΩ,1/10W
R4010		NRSA02J-471X	MG RESISTOR 470Ω,1/10W	R7032		NRSA02J-182X	MG RESISTOR 1.8kΩ,1/10W
R4011		NRSA02J-471X	MG RESISTOR 470Ω,1/10W	R7033		NRSA02J-222X	MG RESISTOR 2.2kΩ,1/10W
R4012		NRSA02J-153X	MG RESISTOR 15kΩ,1/10W	R7034		NRSA02J-272X	MG RESISTOR 2.7kΩ,1/10W
R4013		NRSA02J-102X	MG RESISTOR 1kΩ,1/10W	R7035		NRSA02J-472X	MG RESISTOR 4.7kΩ,1/10W
R4018		NRSA02J-103X	MG RESISTOR 10kΩ,1/10W	R7036		NRSA02J-682X	MG RESISTOR 6.8kΩ,1/10W
R4019		NRSA02J-102X	MG RESISTOR 1kΩ,1/10W	R7037		NRSA02J-563X	MG RESISTOR 56kΩ,1/10W
R4020		NRSA02J-102X	MG RESISTOR 1kΩ,1/10W	R7046		QUY153-050Y	IM BUS WIRE
R4021		NRSA02J-103X	MG RESISTOR 10kΩ,1/10W	R7172		NRSA02J-0R0X	MG RESISTOR,J4008UM 0Ω,1/10W
R4024		QRE141J-103Y	RESISTOR 10kΩ,1/4W	B6		NRSA63J-0R0X	MG RESISTOR 0Ω,1/16W
△ R5001		QRZ9046-475Z	RESISTOR,J3008UM 4.7MΩ,1/2W	B23		NRSA63J-0R0X	MG RESISTOR 0Ω,1/16W
R5101		QRE141J-224Y	RESISTOR 220kΩ,1/4W	B2001		QUY153-050Y	IM BUS WIRE
R5102		QRE141J-224Y	RESISTOR 220kΩ,1/4W	B2002		QUY153-050Y	IM BUS WIRE
R5103		QRE141J-683Y	RESISTOR 68kΩ,1/4W	B3001		QUY153-050Y	IM BUS WIRE,J3008UM
R5104		QRG02GJ-683	OMF RESISTOR 68kΩ,2W	B5001		QUY160-100Y	IM BUS WIRE
R5106		QRT01DJ-R39X	MF RESISTOR 0.39Ω,1W	B5002		QUY160-100Y	IM BUS WIRE
R5107		QRE121J-331Y	RESISTOR 330Ω,1/2W	B5301		NRSA02J-0R0X	MG RESISTOR 0Ω,1/10W
R5108		NRSA02J-122X	MG RESISTOR 1.2kΩ,1/10W	B6020		QUY160-075Y	IM BUS WIRE
R5109		QRE141J-681Y	RESISTOR 680Ω,1/4W	B7009		NRSA02J-0R0X	MG RESISTOR 0Ω,1/10W
R5110		NRSA02J-224X	MG RESISTOR 220kΩ,1/10W	C1		NCF31AZ-105X	CAPACITOR 1μF,10V
R5111		NRSA02J-821X	MG RESISTOR 820Ω,1/10W	C2		NCF31AZ-105X	CAPACITOR 1μF,10V
R5112		NRSA02J-221X	MG RESISTOR 220Ω,1/10W	C3		NCF31AZ-105X	CAPACITOR 1μF,10V
R5301		NRSA02J-472X	MG RESISTOR 4.7kΩ,1/10W	C4		NCF31AZ-105X	CAPACITOR 1μF,10V
R5302		NRSA02J-152X	MG RESISTOR 1.5kΩ,1/10W	C5		QEK1CM-476	E CAPACITOR 47μF,16V
R5303		NRSA02J-152X	MG RESISTOR 1.5kΩ,1/10W	C6		NCB11EK-104X	CAPACITOR 0.1μF,25V
R5304		NRSA02J-471X	MG RESISTOR 470Ω,1/10W	C7		NCB21HK-471X	CAPACITOR 470pF,50V
R5305		NRSA02J-102X	MG RESISTOR 1kΩ,1/10W	C8		NCB31CK-104X	CAPACITOR 0.1μF,16V
R5306		NRSA02J-471X	MG RESISTOR 470Ω,1/10W	C9		NCB31EK-103X	CAPACITOR 0.01μF,25V
R5308		NRSA02J-471X	MG RESISTOR 470Ω,1/10W	C10		NDC31HJ-151X	CAPACITOR 150pF,50V
R5309		NRSA02J-103X	MG RESISTOR 10kΩ,1/10W	C11		NCB31CK-104X	CAPACITOR 0.1μF,16V
R5310		NRSA02J-471X	MG RESISTOR 470Ω,1/10W	C12		NDC31HJ-330X	CAPACITOR 33pF,50V
R5311		NRSA02J-473X	MG RESISTOR 47kΩ,1/10W	C14		NCB31CK-104X	CAPACITOR 0.1μF,16V
R5312		NRVA02D-332X	CMF RESISTOR 3.3kΩ,1/10W	C15		NCB31EK-103X	CAPACITOR 0.01μF,25V
R5313		NRVA02D-362X	CMF RESISTOR 3.6kΩ,1/10W	C16		NCB31CK-104X	CAPACITOR 0.1μF,16V
R5314		NRSA02J-332X	MG RESISTOR 3.3kΩ,1/10W	C17		QEK1HM-335	E CAPACITOR 3.3μF,50V
R5316		NRVA02D-822X	CMF RESISTOR 8.2kΩ,1/10W	C19		QEK1HM-225	E CAPACITOR 2.2μF,50V
R5331		QRL02DJ-101X	OMF RESISTOR,J4008UM 100Ω,2W	C20		QEK1HM-105	E CAPACITOR 1μF,50V
R5332		QRE141J-222Y	RESISTOR 2.2kΩ,1/4W	C21		NCB31CK-104X	CAPACITOR 0.1μF,16V
R5333		QRL02DJ-391X	OMF RESISTOR,J4008UM 390Ω,2W	C22		QEKJ0JM-476	E CAPACITOR 47μF,6.3V
R5334		QRL02DJ-391X	OMF RESISTOR,J4008UM 390Ω,2W	C23		NCB31CK-223X	CAPACITOR 0.022μF,16V



#	△ REF No.	PART No.	PART NAME, DESCRIPTION	#	△ REF No.	PART No.	PART NAME, DESCRIPTION
C24		QCFB1HZ-104	CAPACITOR 0.1μF,50V	C3023		NCF21CZ-105X	CAPACITOR 1μF,16V
C25		NDC31HJ-5R0X	CAPACITOR 5pF,50V	C3028		QETN0JM-108	E CAPACITOR,J4008UM 1000μF,6.3V
C26		NCB31CK-223X	CAPACITOR 0.022μF,16V	C3035		NCB31EK-223X	CAPACITOR 0.022μF,25V
C27		NCB31EK-223X	CAPACITOR 0.022μF,25V	C3036		QERF0JM-107	E CAPACITOR 100μF,6.3V
C28		QEKJ1HM-335	E CAPACITOR 3.3μF,50V	C3041		NDC21HJ-101X	CAPACITOR 100pF,50V
C29		NCB31EK-472X	CAPACITOR 0.0047μF,25V	C3042		NDC21HJ-101X	CAPACITOR 100pF,50V
C30		QEKJ1HM-474	E CAPACITOR 0.47μF,50V	C3049		NCB21HK-103X	CAPACITOR 0.01μF,50V
C31		QEKJ0JM-476	E CAPACITOR 47μF,6.3V	C3050		NCB21HK-103X	CAPACITOR 0.01μF,50V
C32		QDYB1CM-103Y	CAPACITOR 0.01μF,16V	C3052		NCB21HK-103X	CAPACITOR 0.01μF,50V
C33		QEKJ1HM-225	E CAPACITOR 2.2μF,50V	C3053		QDYB1CM-103Y	CAPACITOR 0.01μF,16V
C34		NCB21EK-104X	CAPACITOR 0.1μF,25V	C4001		NCB21EK-104X	CAPACITOR 0.1μF,25V
C35		NCB31CK-333X	CAPACITOR 0.033μF,16V	C4002		QERF1HM-105	E CAPACITOR 1μF,50V
C36		QEKJ1EM-475	E CAPACITOR 4.7μF,25V	C4004		QERF1AM-336	E CAPACITOR 33μF,10V
C37		QEKJ1EM-475	E CAPACITOR 4.7μF,25V	C4006		NCB21EK-563X	CAPACITOR 0.056μF,25V
C38		QEKJ0JM-476	E CAPACITOR 47μF,6.3V	C4007		NCB21HK-103X	CAPACITOR 0.01μF,50V
C39		NCB31CK-223X	CAPACITOR 0.022μF,16V	C4009		NCB21HK-102X	CAPACITOR 0.001μF,50V
C40		QEKJ1CM-106	E CAPACITOR 10μF,16V	C4010		QERF0JM-476	E CAPACITOR 47μF,6.3V
C51		QERF1HM-105	E CAPACITOR 1μF,50V	C4011		NCB21CK-224X	CAPACITOR 0.22μF,16V
C54		NRSA63J-0R0X	MG RESISTOR 0Ω,1/16W	C4014		NDC21HJ-101X	CAPACITOR 100pF,50V
C62		NCB31CK-104X	CAPACITOR 0.1μF,16V	C4015		NDC21HJ-101X	CAPACITOR 100pF,50V
C109		NCB31AK-224X	CAPACITOR 0.22μF,10V	C4019		NCB21HK-103X	CAPACITOR 0.01μF,50V
C110		NDC31HJ-331X	CAPACITOR 330pF,50V	C4022		NDC21HJ-101X	CAPACITOR 100pF,50V
C201		QERF0JM-476	E CAPACITOR 47μF,6.3V	△ C5001		QFZ9073-683	F CAPACITOR 0.068μF,250V
C202		NCB21EK-223X	CAPACITOR 0.022μF,25V	△ C5004		QCZ9071-222	CAPACITOR,J4008UM 0.0022μF,400V
C203		QERF1HM-105	E CAPACITOR 1μF,50V	△		QCZ9094-472	CAPACITOR,J3008UM 0.0047μF,125V
C205		NDC21HJ-101X	CAPACITOR 100pF,50V	C5006		QETM2DM-476	E CAPACITOR,J3008UM 47μF,200V
C207		NCF21CZ-105X	CAPACITOR 1μF,16V			QEZ0424-686	E CAPACITOR,J4008UM 68μF,400V
C208		NRSA02J-0R0X	MG RESISTOR 0Ω,1/10W	C5101		QCZ0212-472	CAPACITOR 0.0047μF,1kV
C210		NRSA02J-0R0X	MG RESISTOR 0Ω,1/10W	C5102		QCZ0339-101Z	CAPACITOR 100pF,1kV
C901		QETN0JM-477	E CAPACITOR 470μF,6.3V	C5104		QEKJ1HM-105	E CAPACITOR 1μF,50V
C904		NCB21EK-223X	CAPACITOR 0.022μF,25V	C5105		QFN31HJ-183	F CAPACITOR 0.018μF,50V
C2001		QEKJ1HM-475	E CAPACITOR 4.7μF,50V	C5106		QCB11HJ-271	CAPACITOR 270pF,50V
C2002		QEKJ1HM-105	E CAPACITOR 1μF,50V	C5107		QFV11HJ-104	F CAPACITOR 0.1μF,50V
C2003		QEKJ0JM-476	E CAPACITOR 47μF,6.3V	C5202		QEMT1CM-687	E CAPACITOR,J4008UM 680μF,16V
C2005		QEKJ1HM-475	E CAPACITOR 4.7μF,50V			QETN1CM-108	E CAPACITOR,J3008UM 1000μF,16V
C2006		NCB31EK-123X	CAPACITOR 0.012μF,25V	C5203		QEMT1AM-687	E CAPACITOR,J4008UM 680μF,10V
C2007		QEKJ1CM-226	E CAPACITOR 22μF,16V			QETN1AM-108	E CAPACITOR,J3008UM 1000μF,10V
C2008		QEKJ1HM-475	E CAPACITOR 4.7μF,50V	C5204		QETJ2AM-475	E CAPACITOR 4.7μF,100V
C2009		NCB31HK-102X	CAPACITOR 0.001μF,50V	C5206		QEKJ1CM-476	E CAPACITOR 47μF,16V
C2010		NCB31HK-222X	CAPACITOR 0.0022μF,50V	C5207		QEKJ1CM-107	E CAPACITOR 100μF,16V
C2011		QEKJ1HM-475	E CAPACITOR 4.7μF,50V	C5301		QEKJ1CM-107	E CAPACITOR 100μF,16V
C2012		QEKJ1HM-475	E CAPACITOR 4.7μF,50V	C5302		QEK1EM-106	E CAPACITOR 10μF,25V
C2051		QCB11HK-331	CAPACITOR 330pF,50V	C5303		QEKJ1CM-107	E CAPACITOR 100μF,16V
C2052		QFN31HJ-823	F CAPACITOR 0.082μF,50V	C5304		QFLC1HJ-102Z	F CAPACITOR 0.001μF,50V
C2053		NCB21HK-472X	CAPACITOR 0.0047μF,50V	C5305		QFV91HJ-154	F CAPACITOR 0.15μF,50V
C2054		NCB21EK-223X	CAPACITOR 0.022μF,25V	C6008		NCB21HK-103X	CAPACITOR,J4008UM 0.01μF,50V
C2055		QEKJ1EM-106	E CAPACITOR 10μF,25V	C6021		NDC21HJ-101X	CAPACITOR,J4008UM 100pF,50V
C3001		NCB21EK-223X	CAPACITOR 0.022μF,25V	C6029		NRSA02J-0R0X	MG RESISTOR 0Ω,1/10W
C3003		QEKJ1CM-106	E CAPACITOR 10μF,16V	C6031		QEKJ1EM-106	E CAPACITOR 10μF,25V
C3004		NDC31HJ-101X	CAPACITOR 100pF,50V	C6053		NCB21HK-102X	CAPACITOR,J4008UM 0.001μF,50V
C3008		NCB21HK-103X	CAPACITOR 0.01μF,50V	C6519		NCB21HK-123X	CAPACITOR 0.012μF,50V
C3011		QEKJ1HM-475	E CAPACITOR,J3008UM 4.7μF,50V	C7013		NCB21HK-103X	CAPACITOR 0.01μF,50V
C3013		QEKJ1CM-106	E CAPACITOR,J4008UM 10μF,16V	C7014		NCB21HK-103X	CAPACITOR 0.01μF,50V
C3015		NCB21HK-222X	CAPACITOR,J4008UM 0.0022μF,50V	C7041		QEKJ0JM-227	E CAPACITOR 220μF,6.3V
C3016		NDC21HJ-180X	CAPACITOR 18pF,50V	L1		QQL29BJ-100Z	COIL 10μH
C3017		NDC21HJ-270X	CAPACITOR 27pF,50V	L2		QUY153-050Y	IM BUS WIRE
C3018		QAT3725-300Z	TRIM CAPACITOR,J4008UM	L3		QQL29BJ-100Z	COIL 10μH
C3019		NDC21HJ-100X	CAPACITOR,J4008UM 10pF,50V	L4		QQL29BJ-100Z	COIL 10μH
		NRSA02J-0R0X	MG RESISTOR,J3008UM 0Ω,1/10W	L5		QQL29BJ-100Z	COIL 10μH
C3020		NDC21HJ-180X	CAPACITOR,J4008UM 18pF,50V	L11		QQL01BJ-120Z	COIL 10μH
C3022		NCB21HK-103X	CAPACITOR,J4008UM 0.01μF,50V	L24		QUY153-050Y	IM BUS WIRE

#	△ REF No.	PART No.	PART NAME, DESCRIPTION	
L28		QQL231J-150Y	COIL	15μH
L201		QUY153-050Y	IM BUS WIRE	
L203		QQL231J-4R7Y	COIL	4.7μH
L901		QQL29BJ-100Z	COIL	10μH
L2001		QUY153-050Y	IM BUS WIRE	
L5201		PELN1184	COIL	33μH
L5202		PELN1184	COIL	33μH
L6001		QUY153-050Y	IM BUS WIRE	
L6003		QUY153-050Y	IM BUS WIRE	
L6032		QUY153-050Y	IM BUS WIRE	
L6050		QUY153-050Y	IM BUS WIRE	
L7111		NRSA02J-0R0X	MG RESISTOR,J4008UM	0Ω,1/10W
L7112		QUY160-100Y	IM BUS WIRE,J4008UM	
X2		QAX0575-001	CRYSTAL RESONATOR	
X3001		QAX0526-001Z	CRYSTAL RESONATOR	
X3002		QAX0444-001	CRYSTAL RESONATOR,J4008UM	
S3001		QSW0602-004	PUSH SWITCH,REC.SAFETY	
S7004		QSW0456-002Z	TACT SWITCH,REW/CH-	
S7006		QSW0456-002Z	TACT SWITCH,FF/CH+	
S7010		QSW0456-002Z	TACT SWITCH,PLAY	
S7016		QSW0456-002Z	TACT SWITCH,POWER	
S7017		QSW0456-002Z	TACT SWITCH,STOP/EJECT	
S7018		QSW0456-002Z	TACT SWITCH,REC	
S7019		QSW0456-002Z	TACT SWITCH,PAUSE/CH	
K2001		NRSA63J-0R0X	MG RESISTOR,J4008UM	0Ω,1/16W
K2002		NRSA63J-0R0X	MG RESISTOR,J4008UM	0Ω,1/16W
K2003		NRSA63J-0R0X	MG RESISTOR,J4008UM	0Ω,1/16W
K2004		NRSA63J-0R0X	MG RESISTOR,J4008UM	0Ω,1/16W
K5101		QQR0678-001Z	FERRITE BEAD	
K5102		QUY153-050Y	IM BUS WIRE	
PC3001		GP3S123	IC(PHOTO SENSOR)	
PC3002		GP3S123	IC(PHOTO SENSOR)	
△ PC5101		PC817X	IC(PHOTO COUPLER),J3008UM	
△ PS2561L1-1/WL/			IC(PHOTO COUPLER),J4008UM	
T2051		PELN0832	OSC TRANSFORMER	
△ T5001		QQS0083-001	SW TRANSFORMER	
ET1		LP30859-001A	EARTH PLATE	
△ HS1		LP40090-001A	HEAT SINK,Q5101,J4008UM	
J2		QNN0292-002	PIN JACK,A/V OUT	
J7101		QNN0382-001	PIN JACK,FRONT IN	
△ TB1		LP21034-001B	TERMINAL BOARD,J3008UM	
△ LP21035-004A			TERMINAL BOARD,J4008UM	
△ CD1		QMPD340-165-K	POWER CORD,J3008UM	
SD1		LP20990-001A	SHEILD PLATE	
OT1		QYTDST3006Z	SCREW,Q5101,J4008UM	
DI7001		LTG-Y2K12M-01J	LE DIODE	
TU6001		QAU0207-001	TUNER,J3008UM	
		QAU0235-001	TUNER,J4008UM	
FC5001		QNG0006-001Z	FUSE CLIP,F5001	
FC5002		QNG0006-001Z	FUSE CLIP,F5001	
FW7106		QUM022-18A4A4	P.R.WIRE,LT.BATTERY,J4008UM	
△ LF5002		QQR0532-001	LINE FILTER	
SG5001		QUY160-150Y	IM BUS WIRE,J3008UM	
△ VA5001		QAF0023-431Z	VARISTOR,J3008UM	
CN1		QGF1028C2-08	FPC CONNECTOR,(1-8)UPPER DRUM	
CN2001		QGF1207C1-07	FPC CONNECTOR,(1-7)A/C HEAD	
CN2002		QGB2532J1-02	CONNECTOR,(1-2)FE HEAD	
CN3001		QGB2015M2-08	CONNECTOR,(1-8)CAPSTAN MOTOR	
CN3002		QGF1207C1-05	FPC CONNECTOR,(1-5)DRUM MDA	
CN3003		QGB2532J1-02	CONNECTOR,(1-2)LOADING MOTOR	
CN3004		QGB2534J2-04	CONNECTOR,(1-4)ROTARY ENCODER	

#	△ REF No.	PART No.	PART NAME, DESCRIPTION
△ CN5001		QGA7901C3-02	CONNECTOR,(1-2)POWER CORD,J4008UM
△ CP4001		ICP-N25	CIRCUIT PROTECTOR
△ CP5302		ICP-N25	CIRCUIT PROTECTOR
△ F5001		QMF51E2-2R0J1	FUSE,J4008UM T2.0A,AC250V
△ QMF51N2-1R25J1			FUSE,J3008UM T1.25A,AC250V

\*\*\*\*\*

### A/C HEAD BOARD ASSEMBLY <12>

PW1	LP10122-01A1	A/C HEAD BOARD ASSY
CN1	QGF1208F1-07	FPC CONNECTOR

\*\*\*\*\*

### LOADING MOTOR BOARD ASSEMBLY <55>

PW2	LP10122-01A2	LOADING MOTOR BOARD ASSY
CN1	QGB2533K1-02	CONNECTOR

\*\*\*\*\*

### LT BATTERY BOARD ASSEMBLY <93>[HR-J4008UM]

PW4	LPA10130-01A4	LT.BATTERY BOARD ASSY
BT3001	QNZ0032-001	BATTERY HOLDER